

**ROLBIT**  
Controllers and Thermostats

**B.M.S**

# C538DH

## Energy saving system. ROOM CONTROL & Thermostat



- ▶ HOTEL ROOMS, OFFICES AND COMMERCIAL BUILDINGS.
- ▶ STAND ALONE AIR CONDITIONING CONTROL.
- ▶ STAND ALONE MAIN LIGHT CIRCUIT CONTROL.
- ▶ FAN -COIL AND HEAT - PUMP OPTIONS.
- ▶ MANUAL CHANGE OVER.
- ▶ OPERATES ON 110/230 VOLTS.
- ▶ OCCUPANCY INFRA RED DETECTOR.
- ▶ DOOR AND WINDOW SWITCHES.
- ▶ DOOR ELECTRONIC CARD SWITCH.

The C538DH room control system operates as a stand-alone system. The system enables substantial reduction in energy cost. The system receives inputs from an occupancy detector, door switch, door card switch or a window switch. The system controls the air conditioning unit and the light main circuit in the room. The system operation is based on a sophisticated energy saving algorithm.

### THE SYSTEM MAIN PARTS ARE:

- ▶ A C538DH wall mount thermostat.
- ▶ A C538 Main Power box.
- ▶ An Infra Red occupancy Sensor-Optional.
- ▶ A Door Switch and/or a Window Switch-Optional.
- ▶ A Door Electronic Card Switch Holder-Optional.

### SPECIFICATIONS:

Operation Voltage	120-230 VAC (50-60 HZ)
Temperature accuracy	-/+1°C (±2°F)
Differential	0.8°C (2°F)
Relay rating	1/4 H.P. 5 Amps.
Relative Humidity	10%- 90% RH Non-Condensate.
Approvals	UL / CE
Thermostat Dimensions	120mm X 71mm X 25 mm(4.7"x2.8"x1.0")
Power box dimensions	215mm X 170mm X 75mm(8.5"x6.7"x3")

WHEN ORDERING USE THE FOLLOWING PART NUMBER

Model	Part No.
C538DH	C538-DH-1C-1H

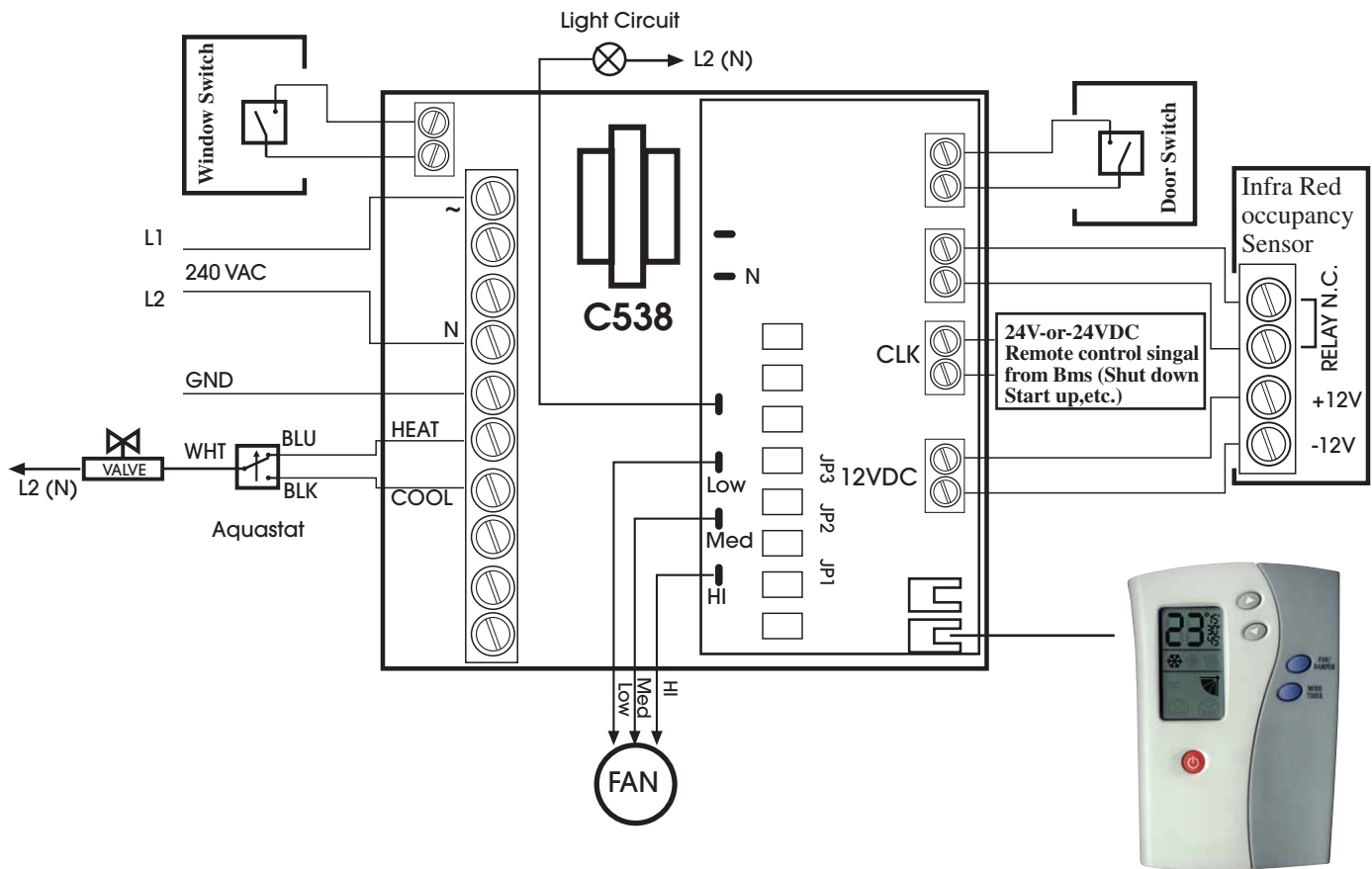
**ROLBIT**  
Controllers and Thermostats

**TOTAL ENVIRONMENT CONTROL**

B.M.S.

# C538DH Energy saving system.

## ROOM CONTROL & Thermostat



### System main FEATURES:

- Operates only with the C538 power Box.
- Fan – Coil control.
- Heat pump (R.V.) is activated in heat or cool mode-optional.
- Fan Button:
- 3 fan speed – High - Medium - Low-Auto.
- Fan works continuously in cool mode and per demand in Heat mode.
- System operating Button:
- Cool-Heat-Fan Only
- Digital display shows the set temperature and ambient temperature.
- Connection between Thermostat and C538 power box is by RJ11-4 cable with quick connectors.6 Meters (20 feet).

### INSTALLATION REQUIREMENTS

- When installing on wall without electric box, use 15 mm X 15mm Plastic tube.
- The thermostat should be located in an air-conditioned area.
  - a. Installing on internal walls only.
  - b. A minimum height of 1.5 meter (5 feet) from the floor is required.

### ADD ON OPTIONS

- Remote temperature sensor (Return air).
- Fan Coil or Heat Pump operation.
- Display Shows set point only.
- Display works with degrees Fahrenheit.