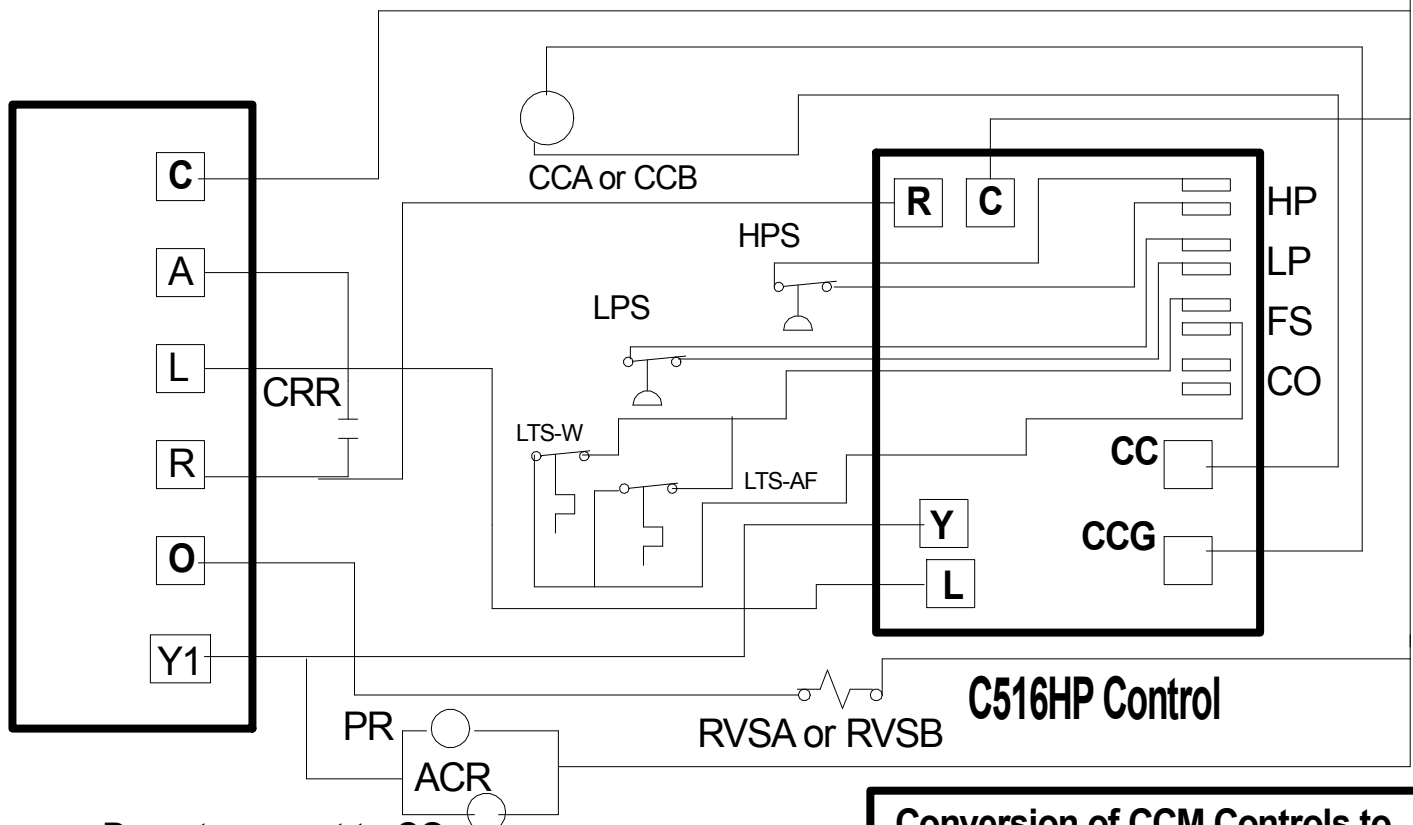


New C516 HP Controller



**Do not connect to CO.
 Connect High Press Sw to HP
 Connect Low Pressure SW to LP
 Connect Low Temp Switches to FS**

**Conversion of CCM Controls to C516 controller.
 Nov 15-2012 Sebarri Dwg 001**