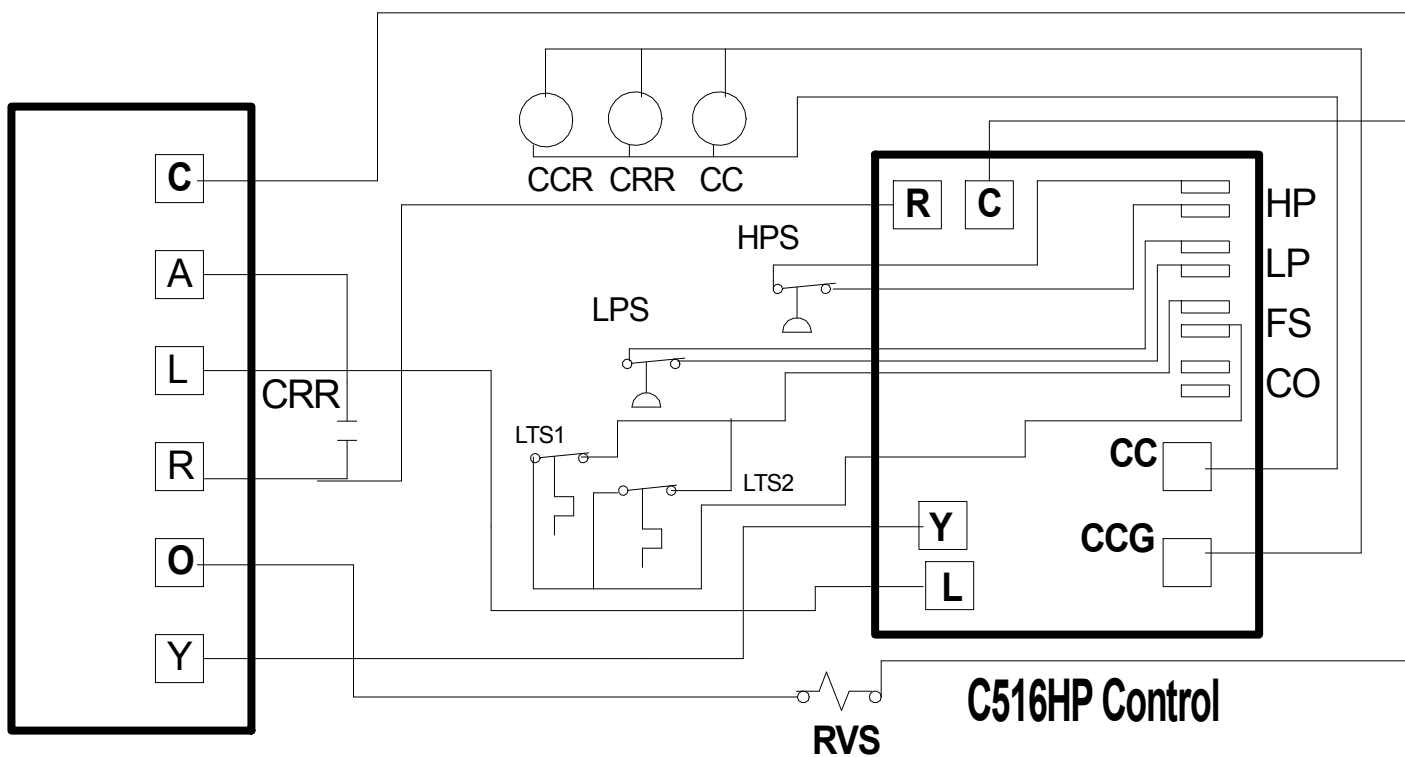


Use LTS-W or LTS-AF depending on type of system.

Existing CCM Control

New C516 HP Controller



Do not connect to CO.
 Connect High Press Sw to HP
 Connect Low Pressure SW to LP
 Connect Low Temp Switches to FS

Conversion of CCM Controls to C516 controller.

Nov 15-2012 Sebarri Dwg 001