



# C204 Energy saving ROOM CONTROL



- ▶ FOR HOTEL ROOMS, OFFICE BUILDINGS.
- ▶ AIR-CONDITIONING CONTROL.
- ▶ LIGHT CONTROL.
- ▶ COMMUNICATION Port.

The system operates as a Stand-Alone, and can be connected to a building management system. Enable substantial reduction in energy cost while maintaining a comfortable climate and atmosphere for the user. The System is connected via a standard communication port, RS485 to The Building Management system. The system uses open protocol with support and tools for customer and BMS implementation.

### THE SYSTEM MAIN ITEMS ARE:

- ▶ A C204 wall mount digital thermostat.
- ▶ A C138SE Main Power box.
- ▶ An Infra Red occupancy Sensor-Optional.
- ▶ A Door Switch and/or Window Switch-Optional.
- ▶ A Door Electronic Card Switch Holder-Optional.

### HOW DOES IT WORK?

Each room has its own C204 STAND-ALONE CONTROL PANEL and C138SE POWER BOX. The system controls and monitors the operation of each room, by using an occupancy I/R detector and Door Switch, Electronic Door Switch Holder, and Window Switch is an option. The system enables remote activation, set-point changes, set-back, set-up, and shut-down. Each room can be connected via standard RS485 communication port to a building management system.

Temperature is controlled by the C204 thermostat.

The system can operate with FAN-COILS, HEAT PUMPS, W.S.H.P and other types of H.V.A.C systems.

### ENERGY COST REDUCTION:

Sensors are installed in the room (I/R, door switch, Electronic door card switch holder, window switch) and allow the system to recognize the room occupancy. These functions enables efficient air-conditioning and light fixture activation.

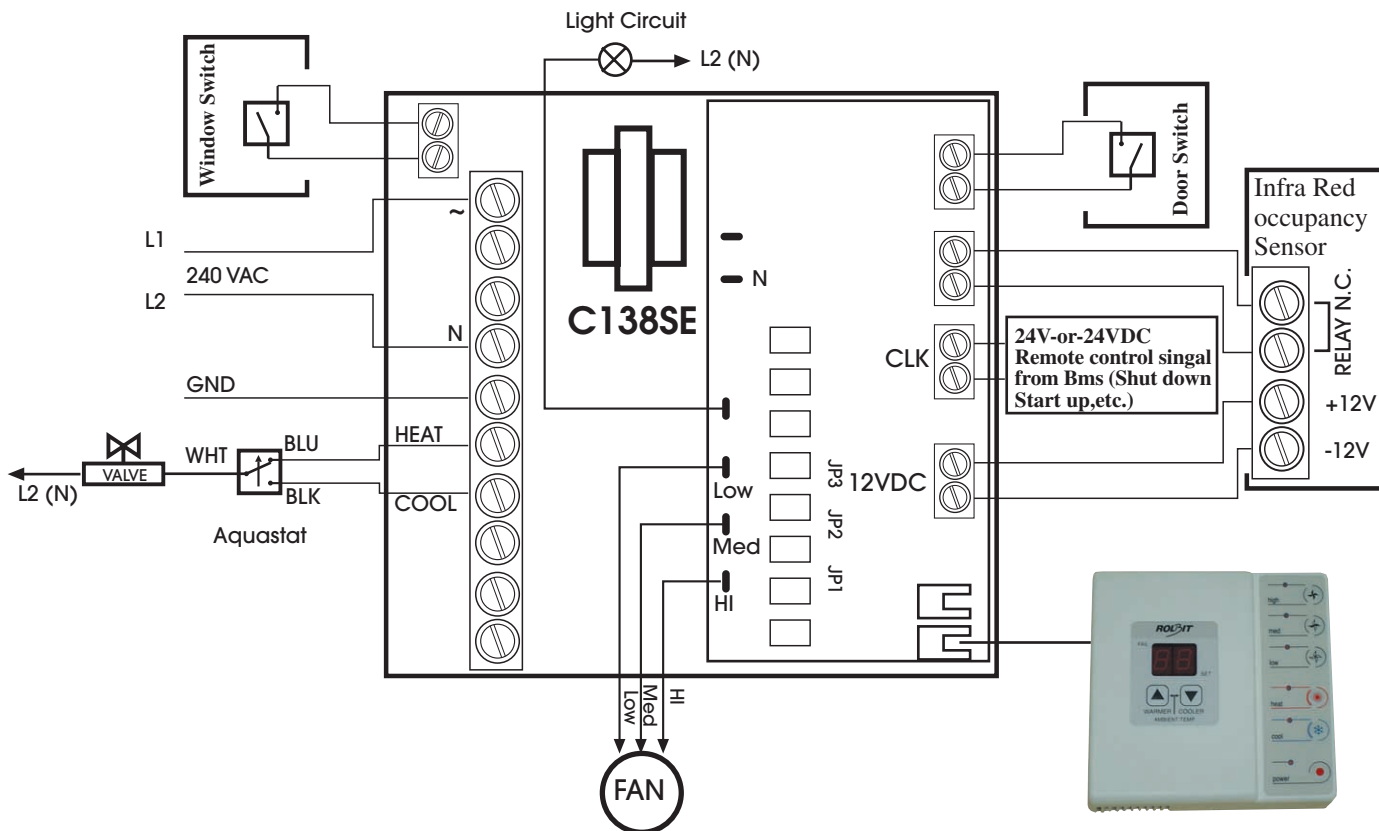
### SPECIFICATIONS:

Operation Voltage	120-240VAC (50-60HZ).
Temperature Accuracy	±0.5°C (±1°F).
Temperature range	10°C-32°C (50°F-90°F).
Differential	0.5°C (1°F).
Dead band (A.C.O)	1°C (2°F).
Relay Rating	250 VAC. 1/4 HP, 5 AMPS.
Fan speeds	3
Communication port	RS485
Relative humidity	10%-90% rh (non-condensate)
Thermostat dimensions	117mm x 117mm x30mm (4.6"x4.6" x1.2")
Power box dimensions	215mm X 170mm X 75mm (8.5"x6.7"x3")
Approvals	UL / CE



## TOTAL ENVIRONMENT CONTROL

# C204 Energy saving ROOM CONTROL



## SYSTEM MAIN FEATURES:

- Operates only with the C138SE power Box.
- Fan – Coil control.
- Heat pump (R.V.) is activated in heat or cool mode-Optional.
- Up and Down buttons to set the temperature and see the room temperature.
- Fan buttons:
- 3 fan speed – High - Medium - Low.
- Fan works continuously in cool mode and per demand in Heat mode.
- System operating buttons:
  - Heat - Sun symbol for heating.
  - Cool - Snow symbol for cooling.
  - Power – ON and OFF button.
- Digital display shows the set temperature and ambient temperature.
- Connection between C204 Thermostat and C138SE power box is by RJ11-4 cable with quick connectors. 6 Meters (20 feet)

## INSTALLATION REQUIREMENTS

- The thermostat should be located in an air-conditioned area.
  - a. Installing on internal walls only.
  - b. A minimum height of 1.5 meter (5 feet) from the floor is required.

## OPTIONS

- Remote temperature sensor.
- Fan Coil or Heat Pump operation.
- Display Shows set point only.
- Display works with degrees Fahrenheit.



ROLBIT Ltd. - 10 Nachshon St. Segula Ind. Zone, Petach-Tikva, ISRAEL 49279  
 Tel: 972 3 9067961 Fax: 972 3 9060034  
 E-mail : sales@rolbit-thermostat.com http://www.rolbit-thermostat.com